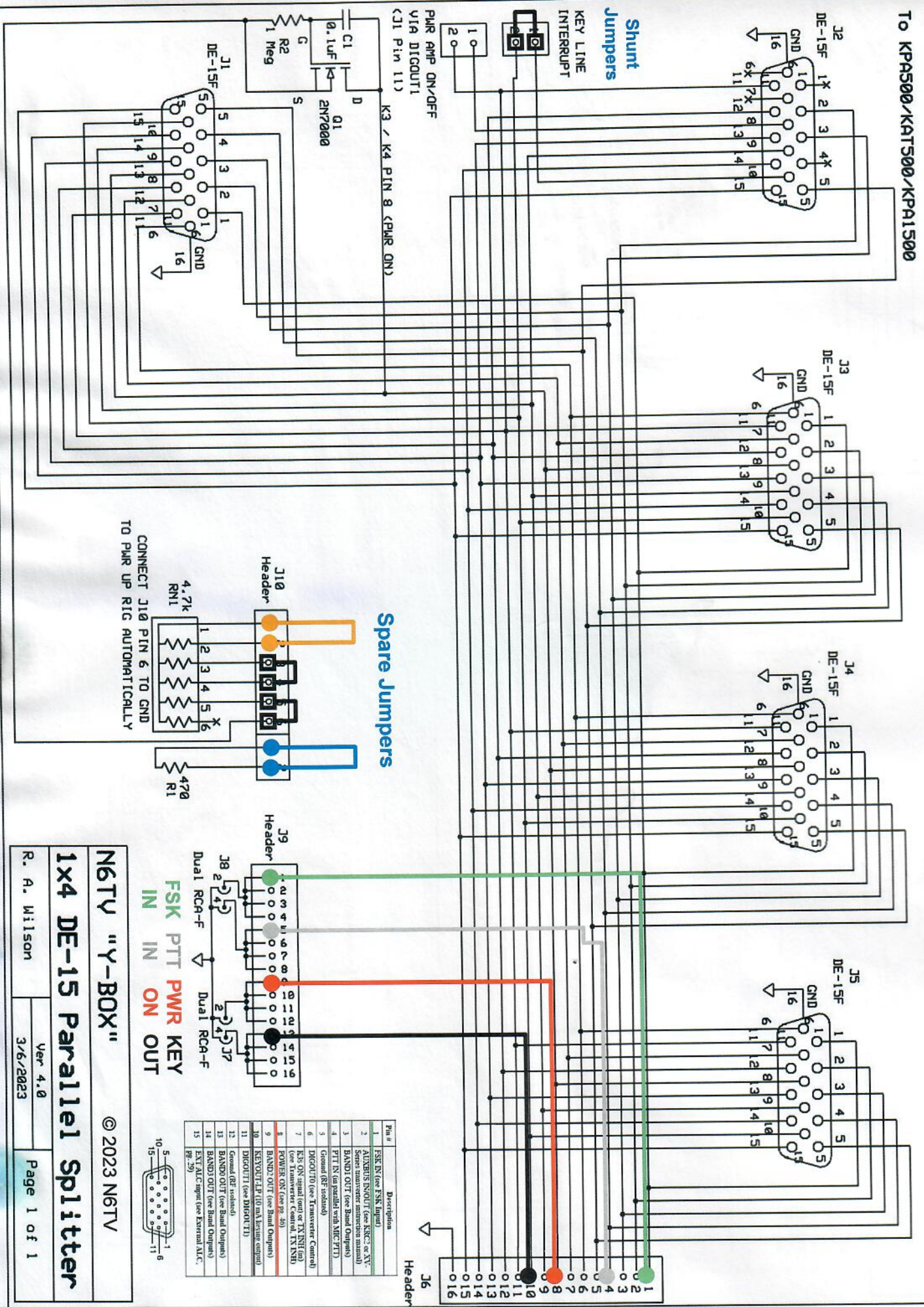
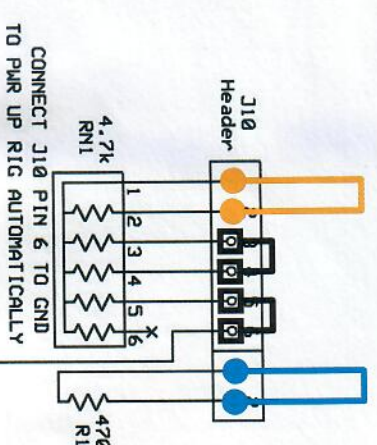


REWIRING OPTION (MOVE RED WIRE)

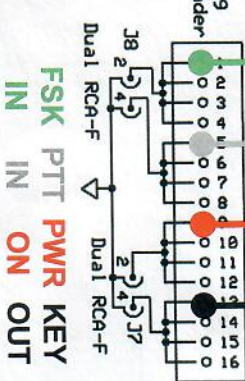
# Y-BOX v4.0 With Standard Configuration



## Spare Jumpers



Pin #	Description
1	FSK IN (see FSK Input)
2	AUXiliary IN/OUT (see REC-2 or XV-Series transceiver instruction manual)
3	BAND1 OUT (see Band Outputs)
4	PTT IN (see manual with MIC PTT)
5	Ground (RT standard)
6	DIGOUT (see Transceiver Control)
7	RSX ON signal (out) or TXEN (in) (see Transceiver Control, IN XSD)
8	VOXRS ON (see pg. 40)
9	BAND1 OUT (see Band Outputs)
10	REVOUT1P (10 mA Reserve Output)
11	DIGOUT1 (see DIGOUT1)
12	Ground (RT standard)
13	BAND2 OUT (see Band Outputs)
14	BAND3 OUT (see Band Outputs)
15	EXTALC Input (see External ALC, pg. 29)



N6TV "Y-BOX" © 2023 N6TV

## 1x4 DE-15 Parallel Splitter