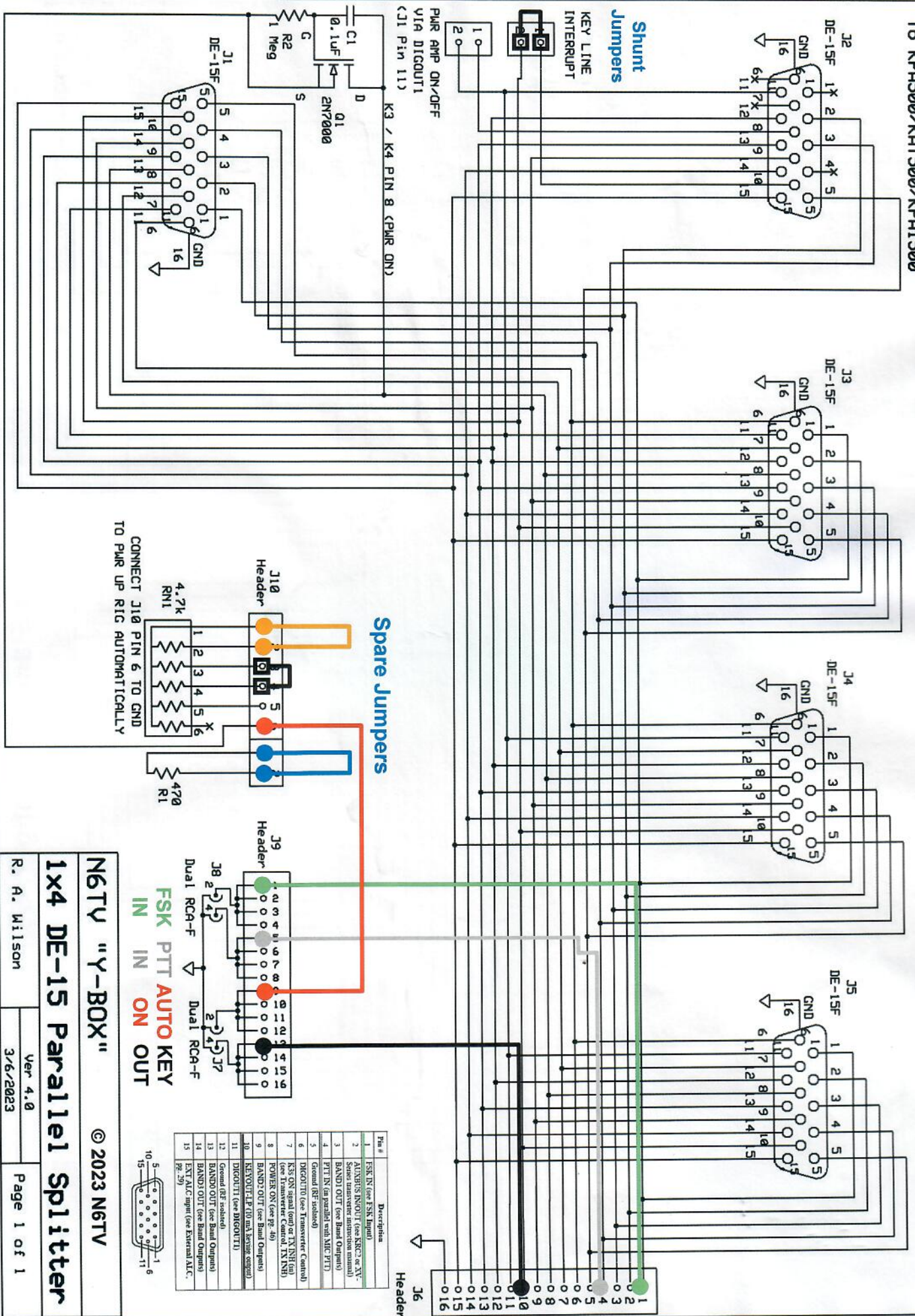


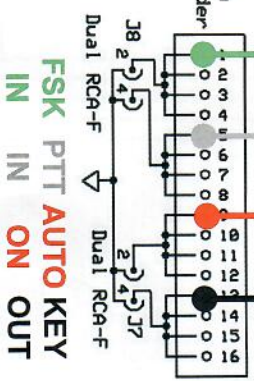
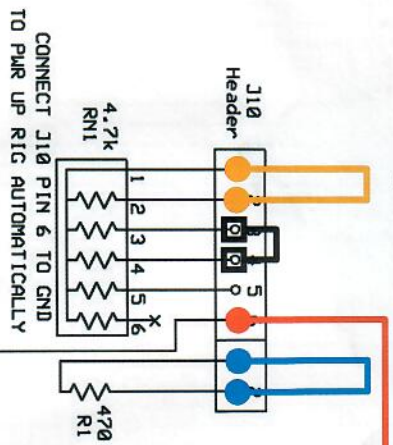
# Y-BOX v4.0 With Standard Configuration - K3/K4 AUTO ON

To KPA500/KATS500/KPA1500

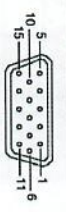


PAIR AMP ON/OFF VIA DISCOUT1 <J1 Pin 11>  
K3 / K4 PIN 8 (PAIR ON)

## Spare Jumpers



Pin #	Description
1	FSK IN (see FSK Input)
2	AUXILIARY IN/OUT (see KRC2 or XV-Series transmitter instruction manual)
3	BAND1 OUT (see Band Outputs)
4	PTT IN (in parallel with MIC PTT)
5	Ground (RF Isolated)
6	DISCOUT1 (see Transmitter Control)
7	K3: ON signal (out) of TXINH (in) (see Transmitter Control, TXINH)
8	POWER ON (see pg. 46)
9	BAND2 OUT (see Band Outputs)
10	KEY/PTT PTT (in) and Keying signal)
11	DISCOUT1 (see DISCOUT1)
12	Ground (RF Isolated)
13	BAND3 OUT (see Band Outputs)
14	BAND4 OUT (see Band Outputs)
15	EXT ALC Input (see External ALC pg. 59)



© 2023 N6TV

1x4 DE-15 Parallel Splitter