

Before using your air conditioner, please read  
this manual carefully and keep it for future reference.

## **INVERTER SPLIT-TYPE ROOM AIR CONDITIONER**

# **USER'S MANUAL**



**Westinghouse**

### **Read This Manual**

Keep this manual where the operator can easily find them. Inside you will find many helpful hints on how to use and maintain your air conditioner properly. Just a little preventative care on your part can save you a great deal of time and money over the life of your air conditioner. You'll find many answers to common problems in the chart of troubleshooting tips. If you review the chart of Troubleshooting Tips first, you may not need to call for service.



## **CONTENTS**

### **SOCIABLE REMARK**

Sociable remark.....	2
----------------------	---

### **SAFETY PRECAUTIONS**

Warning .....	3
Caution .....	4

### **OPERATING INSTRUCTIONS**

Parts names .....	5
Special functions .....	6
Operating temperature.....	7
Manual operation .....	7
Airflow direction control .....	8
How the air conditioner works .....	9

### **CARE AND MAINTENANCE**

Care and maintenance .....	10
----------------------------	----

### **OPERATION TIPS**

Operation tips .....	12
----------------------	----

### **TROUBLESHOOTING TIPS**

Troubleshooting tips .....	14
----------------------------	----

### **⚠ CAUTION**

- Contact the authorized installer for installation of this unit.
- Contact an authorized service technician for repair or maintenance of this unit.
- This appliance is not intended for use by persons (including children) with reduced physical, sensory or mental capabilities, or lack of experience and knowledge, unless they have been given supervision or instruction concerning use of the appliance by persons responsible for their safety.
- Young children should be supervised to ensure that they do not play with the air conditioner.
- If the power cord is to be replaced, replacement work shall be performed by authorized personnel only.
- Installation work must be performed in accordance with the national wiring standards by authorized personnel only.

## **SOCIABLE REMARK**

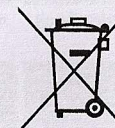
**When using this air conditioner in the European countries, please read the following information:**

**DISPOSAL:** Do not dispose of this product as unsorted municipal waste. Collection of such waste separately for special treatment is necessary.

It is prohibited to dispose of this appliance in domestic household waste. For disposal, there are several possibilities:

- A) The municipality has established collection systems, where electronic waste can be disposed of at least free of charge to the user.
- B) When buying a new product, the retailer will take back the old product at least free of charge.
- C) The manufacturer will take back the old appliance for disposal at least free of charge to the user.
- D) As old products contain valuable resources, they can be sold to scrap metal dealers.



Wild disposal of waste in forests and landscapes endangers your health when hazardous substances leak into the ground-water and find their way into the food chain.







## SAFETY PRECAUTIONS

To prevent injury to the user or other people and property damage, the following instructions must be followed. Incorrect operation due to ignoring of instructions may cause harm or damage. The seriousness is classified by the following indications.

 <b>WARNING</b>	This symbol indicates the possibility of death or serious injury.
 <b>CAUTION</b>	This symbol indicates the possibility of injury or damage to property.

■ Meanings of symbols used in this manual are as shown below.

	Never do this.
	Always do this.

### WARNING

- |   |  |  |
|---|--|--|
| <p><b>Ⓞ Connect with the power properly.</b></p> <ul style="list-style-type: none"> <li>• Otherwise, it may cause electric shock or fire due to excess heat generation.</li> </ul>                            | <p><b>Ⓞ Do not operate or stop the unit by switching on or off the power.</b></p> <ul style="list-style-type: none"> <li>• It may cause electric shock or fire due to heat generation.</li> </ul>          | <p><b>Ⓞ Do not damage or use an unspecified power cord.</b></p> <ul style="list-style-type: none"> <li>• It may cause electric shock or fire.</li> </ul>                             |
| <p><b>Ⓞ Do not modify power cord length or share the outlet with other appliances</b></p> <ul style="list-style-type: none"> <li>• It may cause electric shock or fire due to heat generation.</li> </ul>     | <p><b>Ⓞ Do not operate with wet hands or in damp environment.</b></p> <ul style="list-style-type: none"> <li>• It may cause electric shock.</li> </ul>   | <p><b>Ⓞ Do not direct airflow at room occupants only.</b></p> <ul style="list-style-type: none"> <li>• This could damage your health.</li> </ul>                                     |
| <p><b>Ⓞ Always ensure effective grounding.</b></p> <ul style="list-style-type: none"> <li>• No grounding may cause electric shock.</li> </ul>   | <p><b>Ⓞ Do not allow water to run into electric parts.</b></p> <ul style="list-style-type: none"> <li>• It may cause failure of machine or electric shock.</li> </ul>                                      | <p><b>Ⓞ Always install circuit breaker and a dedicated power circuit.</b></p> <ul style="list-style-type: none"> <li>• No installation may cause fire and electric shock.</li> </ul> |
| <p><b>Ⓞ Disconnect the power if strange sounds, smell, or smoke comes from it.</b></p> <ul style="list-style-type: none"> <li>• It may cause fire and electric shock.</li> </ul>                              | <p><b>Ⓞ Do not drink water drained from air conditioner.</b></p> <ul style="list-style-type: none"> <li>• It contains contaminants and could make you sick.</li> </ul>                                     | <p><b>Ⓞ Do not open the unit during operation.</b></p> <ul style="list-style-type: none"> <li>• It may cause electric shock.</li> </ul>  |
| <p><b>Ⓞ Use the correctly rated breaker or fuse.</b></p> <ul style="list-style-type: none"> <li>• There is risk of fire or electric shock.</li> </ul>   | <p><b>Ⓞ Do not use the power cord close to heating appliances.</b></p> <ul style="list-style-type: none"> <li>• It may cause fire and electric shock.</li> </ul>   | <p><b>Ⓞ Do not disassemble or modify unit.</b></p> <ul style="list-style-type: none"> <li>• It may cause failure and electric shock.</li> </ul>                                      |
| <p><b>Ⓞ Ventilate room before operating air conditioner if there is a gas leakage from another appliance.</b></p> <ul style="list-style-type: none"> <li>• It may cause explosion, fire and burns.</li> </ul> | <p><b>Ⓞ Do not use the power cord near flammable gas or combustibles, such as gasoline, benzene, thinner, etc.</b></p> <ul style="list-style-type: none"> <li>• It may cause explosion or fire.</li> </ul> |  |

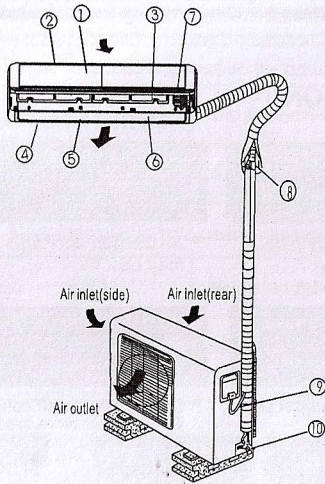
## SAFETY PRECAUTIONS

### CAUTION

- |  |   |  |
|--|---|--|
| <p><b>Ⓞ When the air filter is to be removed, do not touch the metal parts of the unit.</b></p> <ul style="list-style-type: none"> <li>• It may cause an injury.</li> </ul>  | <p><b>Ⓞ Do not put objects like thin rods into the panel of blower and suction side.</b></p> <ul style="list-style-type: none"> <li>• The high-speed fan inside may cause danger.</li> </ul>  | <p><b>Ⓞ Ventilate the room well when used together with a stove, etc.</b></p> <ul style="list-style-type: none"> <li>• An oxygen shortage may occur.</li> </ul>  |
| <p><b>Ⓞ When the unit is to be cleaned, switch off, and turn off the circuit breaker.</b></p> <ul style="list-style-type: none"> <li>• Do not clean unit when power is on as it may cause fire, electric shock or injury.</li> </ul>               | <p><b>Ⓞ Do not put a pet or house plant where it will be exposed to direct air flow.</b></p> <ul style="list-style-type: none"> <li>• This could injure the pet or plant.</li> </ul>  | <p><b>Ⓞ Do not use for special purposes.</b></p> <ul style="list-style-type: none"> <li>• Do not use this air conditioner to preserve precision devices, food, pets, plants, and art objects. It may cause deterioration of quality, etc.</li> </ul> |
| <p><b>Ⓞ Stop operation and close the window in storm or hurricane.</b></p> <ul style="list-style-type: none"> <li>• Operation with windows opened may cause wetting of indoor and soaking of household furniture.</li> </ul>                       | <p><b>Ⓞ Do not place obstacles around air-inlets or inside of air-outlet.</b></p> <ul style="list-style-type: none"> <li>• It may cause failure of appliance or accident.</li> </ul>  | <p><b>Ⓞ Turn off the main power switch when not using the unit for a long time.</b></p> <ul style="list-style-type: none"> <li>• It may cause failure of product or fire.</li> </ul>   |
| <p><b>Ⓞ Do not use strong detergent such as wax or thinner. Use a soft cloth for cleaning.</b></p> <ul style="list-style-type: none"> <li>• Appearance may be deteriorated due to change of product color or scratching of its surface.</li> </ul> | <p><b>Ⓞ Ensure that the installation bracket of the outdoor appliance is not damaged due to prolonged exposure.</b></p> <ul style="list-style-type: none"> <li>• If bracket is damaged, there is concern of damage due to falling of unit.</li> </ul> | <p><b>Ⓞ Always insert the filters securely. Clean filter once every two weeks.</b></p> <ul style="list-style-type: none"> <li>• Operation without filters may cause failure.</li> </ul>  |
| <p><b>Ⓞ Do not place heavy object on the power cord and take care so that the cord is not compressed.</b></p> <ul style="list-style-type: none"> <li>• There is danger of fire or electric shock.</li> </ul>                                       | <p><b>Ⓞ Use caution when unpacking and installing. Sharp edges could cause injury.</b></p>  | <p><b>Ⓞ If water enters the unit, turn the unit off and disconnect the power, contact a qualified service technician.</b></p>  |
| <p><b>Do not clean the air conditioner with water.</b></p> <ul style="list-style-type: none"> <li>• Water may enter the unit and degrade the insulation. It may cause an electric shock.</li> </ul>  |   |  |



## OPERATING INSTRUCTIONS



### Indoor unit

1. Front panel
2. Air inlet
3. Air filter
4. Air outlet
5. Horizontal air flow grille
6. Vertical air flow louver(inside)
7. Display panel

**NOTE:** The actual shape of the indoor unit you purchased may be slightly different on front panel and display window.

### Outdoor unit

8. Connecting pipe
9. Connecting cable
10. Stop valve

### NOTE:

All the pictures in this manual are for explanation purposes only. Your air conditioner may be slightly different. The actual shape shall prevail.

### VLED Display Window

#### **FRESH indication lamp(optional)**

Lights up when Clean Air feature is activated.

#### **RUN indication lamp**

This lamp illuminates when the air conditioner is in operation.

#### **TIMER indication lamp**

Lights up during Timer operation.

#### **DEFROST indication lamp**

(Enabled on cooling & heating models only):  
Lights up when the air conditioner starts defrosting automatically or when the warm air control feature is activated in heating operation.



#### **Temperature indicator**

- Displays the temperature settings when the air conditioner is operational.
- Displays the malfunction code.

### Model Name And Dimensions

MODEL	WIDTH (mm)	HEIGHT(mm)	DEPTH(mm)
9000 Btu	680	255	180
12000 Btu	770	255	188
18000 Btu	905	275	198
24000 Btu	1030	315	220

5

## OPERATING INSTRUCTIONS

### Special functions

#### Refrigerant Leakage Detection

With this new technology, the display area will appear 'EC' (if applicable) and the LED indication lamps continue flashing when the outdoor unit detects refrigerant leakage.

#### Louver Angle Memory Function(optional):

Within the scope of safety angle, it will memorize the open angle of horizontal louver. If it exceeds, it will memorize the boundary of safety angle. In the following circumstances, it will return to standard angle: 1) pressing the manual control button, 2)unplug and then plug in the machine. So we strongly suggest that the open angle of the horizontal louver should not be set too small, in case the condensed water forms and drops from the horizontal louver.

#### SELF CLEAN function (Optional)

- Function used after the Shut Down of cooling operation to clean the Evaporator and keep it as fresh for the next operation.
  - The unit will operate as following sequence : FAN ONLY mode at Low fan speed--Heating operation with LOW fan speed(applicable to cooling & heating modes only) ---FAN ONLY operation--Stop Operation---Turn off.
- Note:**
- This function is only available under COOL(AUTO COOL, FORCED COOL) and DRY mode.
  - Before select the function, it is recommended to run the air conditioner under Cooling operation for about half an hour. Once the Self Clean function is activated, all TIMER setting will be cancelled.
  - During Self Clean operation, when press the SELF CLEAN button on the remote controller again will stop the operation and turn off the unit automatically.

#### CLEAN AIR function(on some models)

Improving the quality of indoor air is one of the purposes of an air conditioner. This air conditioner is equipped with ionizer or Plasma Dust Collector(Depending on specific configuration of the model). With the anions generated by Ionizer, the air circulation of the air conditioner fills the room with refreshing, natural and healthy air. The Plasma Dust Collector generates a high voltage ionization zone, through which the air is converted to plasma. Inside the air most of the dust, smoke, and pollen particles are captured by the electrostatic filter.

#### Anti-mildew function (Optional)

- When turns off the unit on COOL, DRY, AUTO (Cool) mode, the air conditioner will continue operating for about 7-10 minutes (depending on models) at LOW fan speed. If turns off on HEAT mode, the unit will continue operating for about 30 seconds at LOW fan speed. This will help to dry up the condensed water inside the evaporator, and prevent the breeding of mildew.
- Under Anti-mildew operation, do not restart the air conditioner until the unit is completely off.

6



## OPERATING INSTRUCTIONS

**NOTE:** This manual does not include Remote Controller Operations, see the <<Remote Controller Instruction>> packed with the unit for details.

### Operating temperature

Mode	Cooling operation	Heating operation	Drying operation
Room temperature	$\geq 17^{\circ}\text{C}$ (62°F)	$\leq 30^{\circ}\text{C}$ (86°F)	$> 10^{\circ}\text{C}$ (50°F)
Outdoor temperature	0°C~50°C (32°F~122°F)	-15°C~30°C ( 5°F~ 86°F)	0°C~50°C (32°F~122°F)
	(-15°C~50°C/ 5°F~122°F: For the models with low temperature cooling system)		

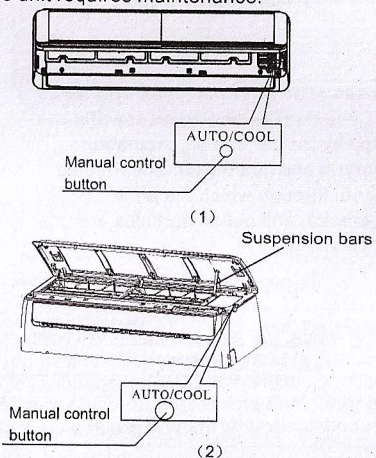
### NOTE:

- Optimum performance will be achieved within these operating temperatures. If air conditioner is used outside of the above conditions, certain safety protection features might come into operation and cause the unit to function abnormally.
- Room relative humidity less than 80%. If the air conditioner operates in excess of this figure, the surface of the air conditioner may attract condensation. Please sets the vertical air flow louver to its maximum angle (vertically to the floor), and set HIGH fan mode.

**Suggestion:** For the unit adopts an Electric Heater, when the outside ambient temperature is below 0°C(32°F), we strongly recommend you to keep the machine plugged in order to guarantee it running smoothly.

### Manual operation

Manual operation can be used temporarily in case the remote controller is disable or the unit requires maintenance.



- NOTE:** The unit must be turned off before operating the manual control button. If the unit is operational, continue pressing the manual control button until the unit is off.
- Open and lift the front panel up to an angle until it remains fixed with a clicking sound.
  - For 24K Btu model, please use suspension bars to prop up the panel.
  - One press of the manual control button will lead to the forced AUTO operation. If press the button twice within five seconds, the unit will operate under forced COOL operation. Close the panel firmly to its original position.

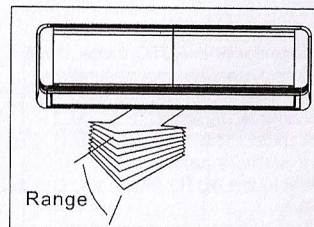
### CAUTION:

- This button is used for testing purposes only. You had better not choose it.
- To restore the remote controller operation, use the remote controller directly.

7

## OPERATING INSTRUCTIONS

### Airflow direction control



Adjust the air flow direction properly otherwise it might cause discomfort or cause uneven room temperatures.  
Adjust the horizontal louver using the remote controller.  
Adjust the vertical louver manually.

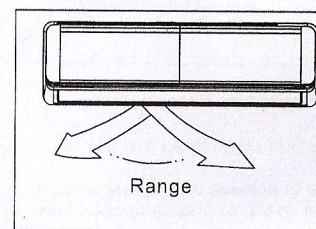
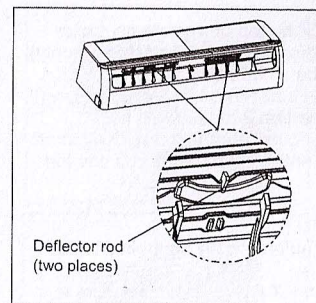
### To set the vertical air flow(Up--Down) direction

Perform this function while the unit is in operation. Use the remote controller to adjust the air flow direction. The horizontal louver can be moved at a range of 6° for each press, or swing up and down automatically. Please refer to the 'REMOTE CONTROLLER OPERATION MANUAL' for details.

### To set the horizontal air flow direction (left - right)

- Move the deflector rod manually to adjust the air flow in the direction you prefer.

**IMPORTANT:** Do not put your fingers into the panel of blower and suction side. The high-speed fan inside may cause danger.



### CAUTION

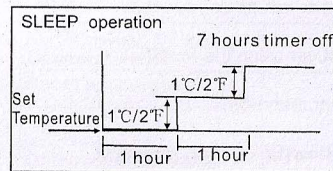
- Do not operate the air conditioner for long periods with the air flow direction set downward in cooling or dehumidifying mode. Otherwise, condensation may occur on the surface of the horizontal louver causing moisture to drop on to the floor or on furnishings.
- When the air conditioner is started immediately after it was stopped, the horizontal louver might not move for approximately 10 seconds.
- Open angle of the horizontal louver should not be set too small, as COOLING or HEATING performance may be impaired due to too restricted air flow area.
- Do not move the horizontal louver manually, otherwise the horizontal louver will be out of sync. Please cease operating, unplug power for a few seconds, then restart the air conditioner.
- Do not operate unit with horizontal louver in closed position.

8

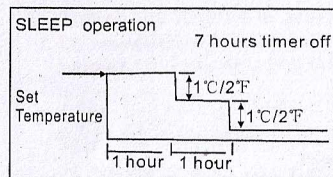


## OPERATING INSTRUCTIONS

### How the air conditioner works



#### Cooling



#### Heating

#### AUTO operation

- When you set the air conditioner in AUTO mode, it will automatically select cooling, heating (cooling/heating models only), or fan only operation depending on set temperature and the room temperature.
- The air conditioner will control room temperature automatically to the temperature point you set.
- If you feel uncomfortable in the AUTO mode, you can set your desired temperature.

#### SLEEP operation

When you push SLEEP button on remote controller during cooling, heating (cooling & heating models only), or AUTO operation, the air conditioner will automatically increase (cooling) or decrease (heating) 1°C/2°F per hour for the first 2 hours, then hold steadily for the next 5 hours, after that it will switch off. This mode saves you energy and brings you comfort at night.

#### DRYING operation

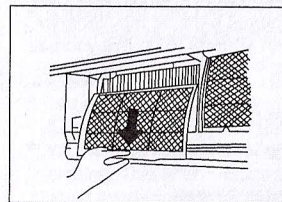
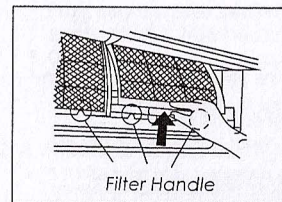
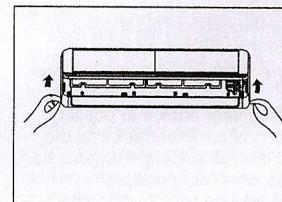
- The fan speed will be automatically controlled under dry operation.
- During the dry operation, if the room temperature is lower than 10°C (50°F), the compressor stops operation and restarts until the room temperature is above 12°C (54°F).

#### Optimal operation

- To achieve optimal performance, please note the following:
- Adjust the air flow direction correctly so that it is not forwards people.
- Adjust the temperature to achieve the highest comfort level. Do not adjust the unit to excessive temperature levels.
- Close doors and windows on COOL or HEAT modes, or performance may be reduced.
- Use TIMER ON button on the remote controller to select a time you want to start your air conditioner.
- Do not put any object near air inlet or air outlet, as the efficiency of the air conditioner may be reduced and the air conditioner may stop running.
- Clean the air filter periodically, otherwise cooling or heating performance may be reduced.  
Do not operate unit with horizontal louvre in closed position.

## CARE AND MAINTENANCE

### Care and Maintenance



#### Cleaning the Grille, Case and Remote Controller

- Turn the system off before cleaning. To clean, wipe with a soft, dry cloth. Do not use bleach or abrasives.

**NOTE:** Power supply must be disconnected before cleaning the indoor unit.

#### CAUTIONS

- A cloth dampened with cold water may be used on the indoor unit if it is very dirty. Then wipe it with a dry cloth.
- Do not use a chemically treated cloth or duster to clean the unit.
- Do not use benzene, thinner, polishing powder, or similar solvents for cleaning. These may cause the plastic surface to crack or deform.
- Never use water hotter than 40°C/104°F to clean the front panel, it could cause deformation or discoloration.

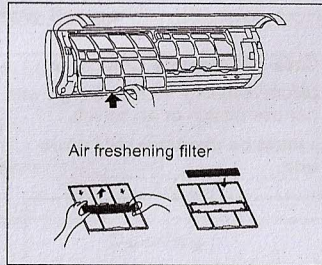
#### Cleaning the air filter

**NOTE:** Power supply must be disconnected before cleaning the indoor unit.

- A clogged air filter reduces the cooling efficiency of this unit. Please clean the filter once every 2 weeks.
1. Lift the indoor unit panel up to an angle until it stops with a clicking sound. For 24K Btu model, please use suspension bars to prop up the panel.
  2. Take hold of the handle of the air filter and lift it up slightly to take it out from the filter holder, then pull it downwards.
  3. Remove the AIR FILTER from the indoor unit. Clean the AIR FILTER once two weeks. Clean the AIR FILTER with a vacuum cleaner or water, then dry it up in cool place.



## CARE AND MAINTENANCE



4. Remove the Air Freshening Filter from its supporting frame (on some models).
  - Clean the air freshening filter at least once a month, and replace it every 4-5 months.
  - Clean it with vacuum cleaner, then dry it in cool place.
5. Install the air freshening filter back into position.
6. Insert the upper portion of air filter back into the unit, taking care that the left and right edges line up correctly and place filter into position.

### Maintenance

If you plan to idle the unit for a long time, perform the following:

- (1) Clean the indoor unit and filters.
  - (2) Operate the fan for about half a day to dry the inside of the unit.
  - (3) Stop the air conditioner and disconnect power.
  - (4) Remove the batteries from the remote controller.
- The outdoor unit requires periodic maintenance and cleaning. Do not attempt to do this yourself. Contact your dealer or service provider.

### Checks before operation

- Check that the wiring is not broken off or disconnected.
- Clean the indoor unit and filters.
- Check that the air filter is installed.
- Check if the air outlet or inlet is blocked after the air conditioner has not been used for a long time.

### ⚠ Caution

- Do not touch the metal parts of the unit when removing the filter. Injuries can occur when handling sharp metal edges.
- Do not use water to clean inside the air conditioner. Exposure to water can destroy the insulation, leading to possible electric shock.
- When cleaning the unit, first make sure that the power and circuit breaker are turned off.
- Do not wash with hot water at more than 40°C. Shake off moisture completely and dry it in the shade; do not expose it directly to the sun. The filter may shrink.

## OPERATION TIPS

The following events may occur during normal operation.

### 1. Protection of the air conditioner.

#### Compressor protection

- The compressor can't restart for 3 minutes after it stops.
- **Anti-cold air (Cooling and heating models only)**
- The unit is designed not to blow cold air on HEAT mode, when the indoor heat exchanger is in one of the following three situations and the set temperature has not been reached.
  - A) When heating has just started.
  - B) Defrosting.
  - C) Low temperature heating.
- The indoor or outdoor fan stop running when defrosting (Cooling and heating models only).
- **Defrosting (Cooling and heating models only)**
- Frost may be generated on the outdoor unit during heat cycle when outdoor temperature is low and humidity is high resulting in lower heating efficiency of the air conditioner.
- During this condition air conditioner will stop heating operation and start defrosting automatically.
- The time to defrost may vary from 4 to 10 minutes according to the outdoor temperature and the amount of frost built up on the outdoor unit.

### 2. A white mist coming out from the indoor unit

- A white mist may generate due to a large temperature difference between air inlet and air outlet on COOL mode in an indoor environment that has a high relative humidity.
- A white mist may generate due to moisture generated from defrosting process when the air conditioner restarts in HEAT mode operation after defrosting.

### 3. Low noise of the air conditioner

- You may hear a low hissing sound when the compressor is running or has just stopped running. It is the sound of the refrigerant flowing or coming to a stop.
- You can also hear a low "squeak" sound when the compressor is running or has just stopped running. This is caused by heat expansion and cold contraction of the plastic parts in the unit when the temperature is changing.
- A noise may be heard due to louver restoring to its original position when power is turned on.

### 4. Dust is blown out from the indoor unit.

This is a normal condition when the air conditioner has not been used for a long time or during first use of the unit.

### 5. A peculiar smell comes out from the indoor unit.

This is caused by the indoor unit giving off smells permeated from building material, from furniture, or smoke.

### 6. The air conditioner turns to FAN only mode from COOL or HEAT (For cooling and heating models only) mode.

When indoor temperature reaches the temperature setting on air conditioner, the compressor will stop automatically, and the air conditioner turns to FAN only mode. The compressor will start again when the indoor temperature rises on COOL mode or falls on HEAT mode (For cooling and heating models only) to the set point.

### 7. The air conditioner runs Anti-mildew function after turning off the unit.

When turning off the unit under COOL(AUTO COOL, FORCED COOL) and DRY mode, the air conditioner will run Anti-mildew function for 7-10 minutes, then stop the operation and turn off the unit automatically.



## OPERATION TIPS

8. Dripping water may generate on the surface of the indoor unit when cooling in a high relative humidity (relative humidity higher than 80%). Adjust the horizontal louver to the maximum air outlet position and select HIGH fan speed.

### 9. Heating mode (For cooling and heating models only)

The air conditioner draws in heat from the outdoor unit and releases it via the indoor unit during heating operation. When the outdoor temperature falls, heat drawn in by the air conditioner decreases accordingly. At the same time, heat loading of the air conditioner increases due to larger difference between indoor and outdoor temperature. If a comfortable temperature can't be achieved by the air conditioner, we suggest you use a supplementary heating device.

### 10. Auto-restart function

- Power failure during operation will stop the unit completely.
- For the unit without Auto-restart feature, when the power restores, the OPERATION indicator on the indoor unit starts flashing. To restart the operation, push the ON/OFF button on the remote controller. For the unit with Auto-restart feature, when the power restores, the unit restarts automatically with all the previous settings preserved by the memory function.

11. Lightning or a car wireless telephone operating nearby may cause the unit to malfunction. Disconnect the unit with power and then re-connect the unit with power again. Push the ON/OFF button on the remote controller to restart operation.

## TROUBLESHOOTING TIPS

### Troubleshooting Tips

If one of the following faults occurs, stop the air conditioner immediately, disconnect the power and then connect it in again. If the problem still exists, disconnect the power and contact the nearest customer service center.	
Trouble	OPERATION indicator or other indicators continue flashing.
	Fuse blows frequently or circuit breaker trips frequently.
	Other objects or water fall into the air conditioner.
	The remote controller won't work or works abnormally.
	If one of the following code appears on the display area : E0,E1,E2,E3.....or P0,P1,P2,P3.....

Malfunctions	Cause	What should be done?
Unit does not start	Power cut	Wait for power to be restored.
	Unit may have become Unplugged.	Check that plug is securely in wall receptacle.
	Fuse may have blown.	Replace the fuse.
	Battery in Remote controller may have been exhausted.	Replace the battery.
	The time you have set with timer is incorrect.	Wait or cancel timer setting.
Unit not cooling or heating (Cooling/ heating models only) room very well while air flowing out from the air conditioner	Inappropriate temperature setting.	Set temperature correctly. For detailed method please refer to "Using remote control" section.
	Air filter is blocked.	Clean the air filter.
	Doors or Windows are open.	Close the doors or windows.
	Air inlet or outlet of indoor or outdoor unit has been blocked.	Clear obstructions away first, then restart the unit.
	Compressor 3 or 4 minutes protection has been activated.	Wait.

If the trouble has not been corrected, please contact a local dealer or the nearest customer service center. Be sure to inform them of the detailed malfunctions and unit model number.

Notes: Do not attempt to repair the unit yourself.

Always consult an authorized service provider.



The design and specifications are subject to change without prior notice for product improvement. Consult with the sales agency or manufacturer for details.

2020001B2554



Type R51 M/E  
10 Sept 13

**OWNER'S MANUAL**

## **REMOTE CONTROLLER**

- Please read this Owner's Manual carefully before operation.
- Save this manual in a safe place for future reference.



## CONTENTS

Remote Controller Specification.....	1
Performance Features.....	4
Features of the Remote controller Buttons .....	1
Indicators on Display panel.....	3
Operating the Remote Controller.....	4
Warning.....	7



### Remote Controller Specification

Model	R51M/(C)E, R51M/BG(C)E, RG51M2/(C)E, RG51A/(C)E, RG51M3/(C)E, RG51M3/BG(C)E, RG51M8/(C)E, RG51M9/(C)E.
Rated Voltage	3.0V(Alkaline dry batteries LR03×2)
Lowest Voltage of CPU Emitting Signal	2.0V
Transmission Distance	8m (when using 3.0 voltage, it Gets 11m)
Environment	-5°C~60°C

### Performance Features

1. Operating Mode: AUTO、COOL、 DRY、 HEAT(Cooling only model without) and FAN .
2. Timer Setting Function in 24 hours.
3. Indoor Setting Temperature Range : 17°C~30°C.
4. Full function of LCD (Liquid Crystal Display)
5. Back light emitting(only available for R51M(3)/BG(C)E models)

### Features of the Remote controller buttons

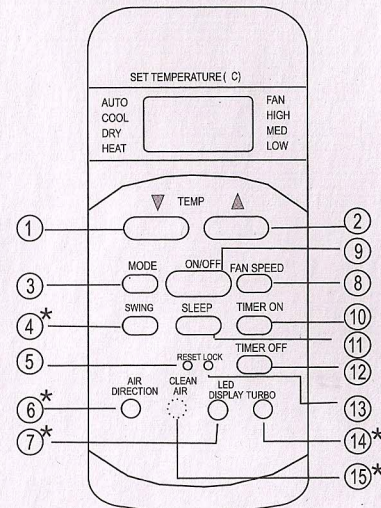


Fig. 1

#### NOTE:

\* : Indicates optional button.

14\* and 15\* buttons are not available for Models RG51M2/(C)E.

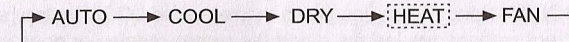
7\*, 14\* and 15\* buttons are not available for Models RG51M3/(C)E and RG51M3/BG(C)E.

15\* button is not available for Models R51M/(C)E and R51M/BG(C)E.

4\*, 6\*, 7\*, 14\*, 15\* buttons are not available for Models RG51M9/(C)E.

6\*, 7\*, 14\*, 15\* buttons are not available for Models RG51M8/(C)E.

- ① **TEMP Button ▼**: Push this button to decrease the indoor temperature setting.
- ② **TEMP Button ▲**: Push this button to increase the indoor temperature setting .
- ③ **MODE Selection Button**: Each time the button is pressed, the operation mode is shifted in the direction of the arrow:



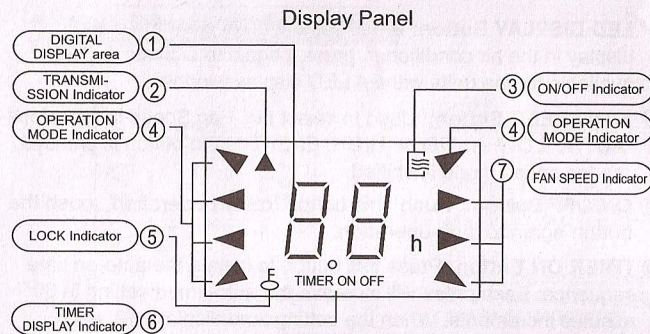
▲ **NOTE**: COOL only model has no HEAT feature.

- ④ **SWING Button**: Push this switch button to activate auto swing feature of the horizontal louver. Push it again to stop.
- ⑤ **RESET Button**: When you press the recessed RESET button, all current settings are cancelled and the control will return to the initial settings.
- ⑥ **AIR DIRECTION Button**: Press this button to change the swing angle of the louver. The swing angle of the louver is 6° for each press. When the louver swing at a certain angle which would affect the cooling and heating effect of the air conditioner, it would automatically change the swing direction . No symbol will appear in the display area when press this button. (Not applicable to units without this function).
- ⑦ **LED DISPLAY Button**: Press this button to clear the digit display in the air conditioner, press it again to activate it (Not available for the units without LED display window).
- ⑧ **FAN SPEED Button**: Used to select the Fan Speed in four steps- AUTO、LOW、MED or HIGH. Each time the button is pressed, the fan speed mode is shifted.
- ⑨ **ON/OFF Button**: Push this button to start operation, push the button again to stop operation.
- ⑩ **TIMER ON Button**: Press this button to initiate the auto-on time sequence. Each press will increase the auto-timed setting in 30 minutes increments. When the setting time displays 10, each press will increase the auto-timed setting 60 minutes increments. To cancel the auto-timed program, simply adjust the auto-on time to 0.0.
- ⑪ **SLEEP Button**: Press this button to go into the Energy-Saving operation mode. Press it again to cancel. This function is only can be used on COOL, HEAT and AUTO mode and maintain the most comfortable temperature for you.



- ⑫ **TIMER OFF Button:** Press this button to initiate the auto-off time sequence. Each press will increase the auto-timed setting in 30 minutes increments. When the setting time displays 10, each press will increase the auto-timed setting 60 minutes increments. To cancel the auto-timed program, simply adjust the auto-off time to 0.0.
- ⑬ **LOCK Button:** When you press the recessed LOCK button, all current settings are locked in and the remote controller does not accept any operation except that of the LOCK. Press again to cancel the LOCK mode.
- ⑭ **TURBO Button:** Push this button to activate/cancel the Turbo function which enables the unit to reach the preset temperature in the shortest time. On cooling mode, the unit will blow strong cooling air with super high fan speed. On heating mode (applicable to the unit adopts PTC only), the PTC will bring fast heating operation.
- ⑮ **CLEAN AIR Button(on some models):** When push this button, the Ionizer or Plasma Dust Collector(dependent on models) is energized and will help to remove pollen and impurities from the air.

#### Indicators on Display Panel



- ① **DIGITAL DISPLAY area:** This area will show the set temperature and, if in the TIMER mode, will show the ON and OFF settings of the TIMER. If in the FAN mode, nothing is appeared.
- ② **TRANSMISSION Indicator:** This indicator flashes one time when remote controller transmits signals to the indoor unit.

- ③ **ON/OFF Indicator:** This symbol appears when the unit is turned on by the remote controller, and disappears when the unit is turned off.
- ④ **OPERATION MODE Indicator:** When press the MODE button, it shows the current operating mode -- "AUTO", "COOL", "DRY", "HEAT"(Cooling only model without), or "FAN" mode.
- ⑤ **LOCK Indicator:** LOCK display is displayed by pushing the LOCK button. Push the LOCK button to clear display.
- ⑥ **TIMER DISPLAY Indicator:** This display area shows the settings of the TIMER. That is, if only the starting time of operation is set, it will display the TIMER ON. If only the turning off time of operation is set, it will display the TIMER OFF. If both operations are set, it will show TIMER ON-OFF which indicates you have chosen to set both the starting time and off time.
- ⑦ **FAN SPEED Indicator:** Press the FAN SPEED button to select the desired fan speed setting (Auto-Low-Med-High). Your selection will be displayed in the LCD window except the Auto fan speed.

▲ **NOTE:** All signs shown in the Fig.2 is for the purpose of clear presentation. But during the actual operation only the relative functional signs are shown on the display panel.

#### Operating the Remote Controller

##### Install/Replace Batteries

The Remote Controller uses two alkaline dry batteries(LR03X2).

1. To install the batteries, slide the back cover of the battery compartment and install the batteries according to the direction (+and -)shown on the Remote Controller.
2. To replace the old batteries, use the same method as mentioned above.

##### ▲ NOTE

1. When replacing batteries, do not use old batteries or a different type battery. This may cause the remote control to malfunction.
2. If you do not use the remote controller for several weeks remove the batteries. Otherwise battery leakage may damage the remote controller.
3. The average battery life under normal use is about 6 months.
4. Replace the batteries when there is no answering beep from the indoor unit or if the Transmission Indicator light fails to light.
5. Do not dispose batteries as unsorted municipal waste. Collection of such waste separately for special treatment is necessary.



## 🔑 AUTOMATIC OPERATION

1. Use the MODE button to select AUTO.
2. Push the TEMP button to set the desired room temperature .  
The most comfortable temperature settings are between 21°C to 28°C.
3. Push the ON/OFF button to start the air conditioner. The OPERATION lamp on the display panel of the indoor unit lights. The FAN SPEED is automatically set and there are no fan speed indicators shown on the display panel of the remote controller.
4. Push the ON/OFF button again to stop the unit operation.

### ▲ NOTE

1. In the AUTO mode, the air conditioner can logically choose the mode of COOL, FAN and HEAT by sensing the difference between the actual ambient room temperature and the set temperature on the remote controller.
2. If the AUTO mode is not comfortable for you, the desired mode can be selected manually.

## 🔑 COOL/ HEAT (Cooling only model without) and FAN Operation

1. If the AUTO mode is not comfortable, you may manually over-ride the settings by using COOL, HEAT or FAN modes.
2. Push the TEMP button to set the desired room temperature. When in COOLING mode, the most comfortable settings are 21°C or above. When in HEATING mode, the most comfortable settings are 28°C or below.
3. Push the FAN SPEED to select the FAN mode of AUTO, HIGH, MED or LOW.
4. Push the ON/OFF button, the operation lamp lights and the air conditioner start to operate as your settings. Push the ON/OFF button again to stop this unit operation.

### ▲ NOTE

- The FAN mode can not be used to control the temperature. While in this mode, only steps 1、3 and 4 may be performed.

## 🔑 DRY Operation

1. Push the MODE button to select DRY.
2. Push the TEMP button to set the desired temperature from 17°C to 30°C.
3. Push the ON/OFF button, the OPERATION lamp lights and the air conditioner starts to operate in DRY mode at LOW fan speed. Push the ON/OFF button again to stop this unit operation.

### ▲ NOTE

*Due to the difference of the set temperature of the unit and the actual indoor temperature, the Air Conditioner when in DRY mode will automatically operate many times without running the COOL and FAN mode.*

## 🔑 TIMER Operation

Push TIMER ON button to set the auto- on time and TIMER OFF button to set the auto-off time.

### 1. To set the starting time.

- 1.1 Push the TIMER ON button, then the remote controller shows TIMER ON , the last set time for the starting operation and the signal "h" will be shown on the DIGITAL DISPLAY area. You are now ready to reset the time to START the operation.
- 1.2 Push the TIMER ON button again to set desired unit start time.
- 1.3 After setting the TIMER ON ,there will be a one-half second delay before the remote controller transmits the signal to the air conditioner. Then, after approximately another 2 seconds, the signal "h" disappears and the set temperature will re-appear on the digital display.

### 2. To set the stopping time.

- 2.1 Push the TIMER OFF button and the remote controller will show TIMER OFF, the last set time for the stopping operation and the signal "h" will be shown on the DIGITAL DISPLAY area. You are now ready to reset the time of the STOP operation.
- 2.2 Push the TIMER OFF button again to set the time you want to stop the operation.
- 2.3 After setting the TIMER OFF ,there will be a one-half second delay before the remote controller transmits the signal to the air conditioner. Then, after approximately another 2 seconds, the signal "h" disappears and the set temperature will re-appear on the digital display.



### 3. Set the starting & stopping time

- 3.1 Push the TIMER ON button, the remote controller will show TIMER ON, the last set time for START operation and the signal "h" will be shown on the DIGITAL display area. You are now ready to readjust the TIMER ON to start the operation.
- 3.2 Push the TIMER ON button again to set the time you want to start the operation.
- 3.3 Push the TIMER OFF button, the remote controller will show TIMER OFF, the last set time for STOP operation and the signal "h" will be shown on the DIGITAL display area. You are now ready to reset the time to STOP operation.
- 3.4 Push the TIMER OFF button again to set the time you want to stop the operation.
- 3.5 After setting the TIMER, there will be a one-half second delay before the remote controller transmits the signal to the Air Conditioner. Then, after approximately another 2 seconds, the signal "h" disappears and the set temperature will re-appear on the digital display.

#### Change the TIMER

- To change the TIMER ON/OFF time, just press the corresponding TIMER button and reset the time.
- To cancel the TIMER ON/OFF setting, just adjust the TIMER time to 0:00.

#### ▲ NOTE

The setting time is relative time. That is the time set is based on the delay of the current time.

#### Warning

1. Be sure there are no obstacles between the remote controller and the receiver of indoor unit otherwise the air conditioner will not work.
2. Keep the Remote Controller away from any liquids.
3. Protect the remote controller from the high temperatures and exposure to radiation.
4. Keep the indoor receiver out of direct sunlight or the Air Conditioner may malfunction.
5. Keep Remote Controller away from EMI(Electro-Magnetic Interference) supplied by other household appliances.



CS322-R  
202055090183  
20111206